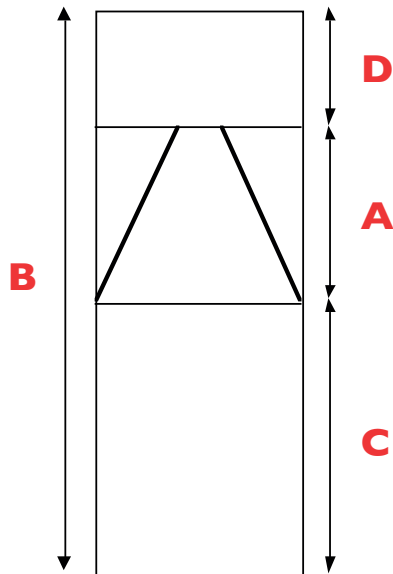


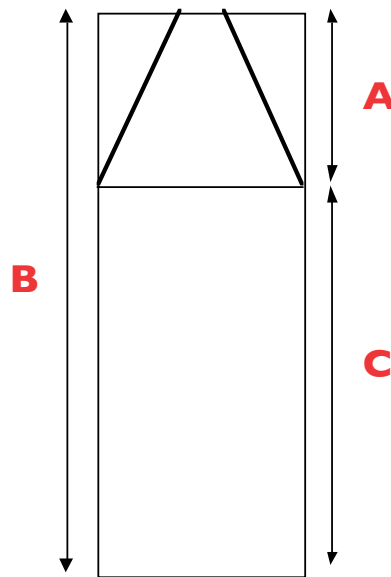
GLAZING SIZE CALCULATIONS

Dual pitch and lean-to roof



- $C = B - D - A - 28\text{mm}$
- A = Vent length (800mm std)
- B = Total Panel length
- C = Lower Panel length
- D = Upper Panel length

Lean-to roof only



- $C = B - A - 14\text{mm}$
- A = Vent length (800mm std)
- B = Total Panel length
- C = Lower Panel length

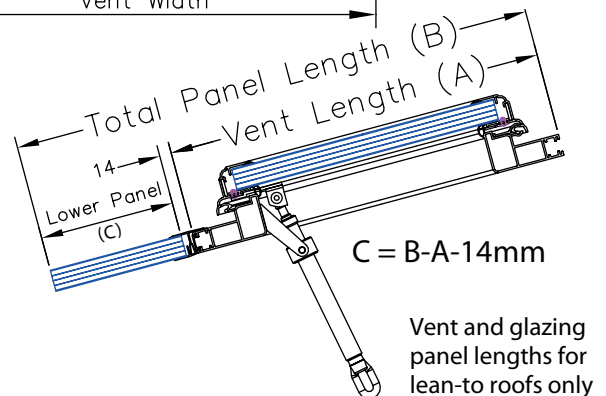
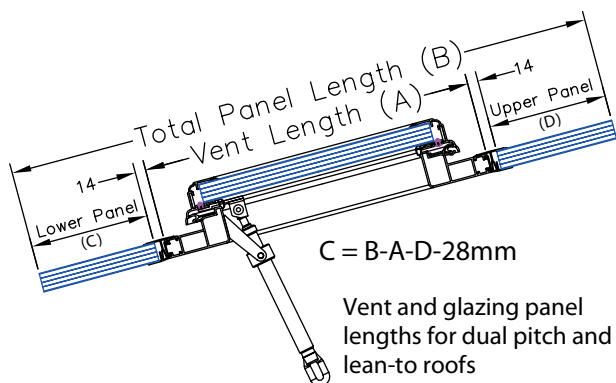
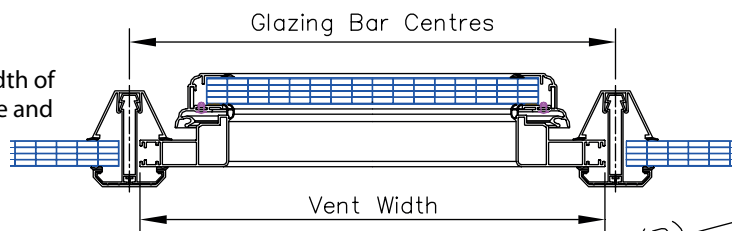
For Unglazed Vents:

Polycarbonate Panel size:
Vent length - 125mm, Vent width - 125mm

Glass Panel size:
Vent length - 135mm, Vent width - 135mm

The vent width is always equal to the width of the polycarbonate panels installed above and below the vent.

Typically, Glazing Bar Centres - 20mm



If using a roof vent in this configuration in a lean-to roof special detailing is required. Please contact our technical department for full details.